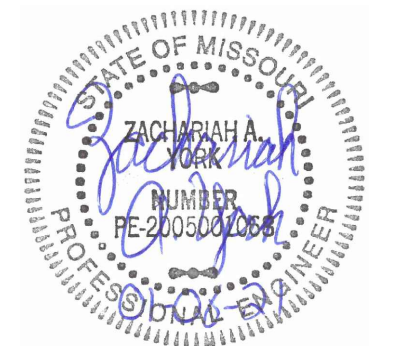




Hurst-Rosche, Inc.
 PROFESSIONAL DESIGN NUMBER: 000072
 3675 W. Outer Road, Suite 101
 Arnold, MO 63010
 636.333.3351 t
 www.hurst-rosche.com
 HILLSBORO, IL
 EAST ST. LOUIS, IL
 MARION, IL
 NEOSHO, MO
 NASHVILLE, TN



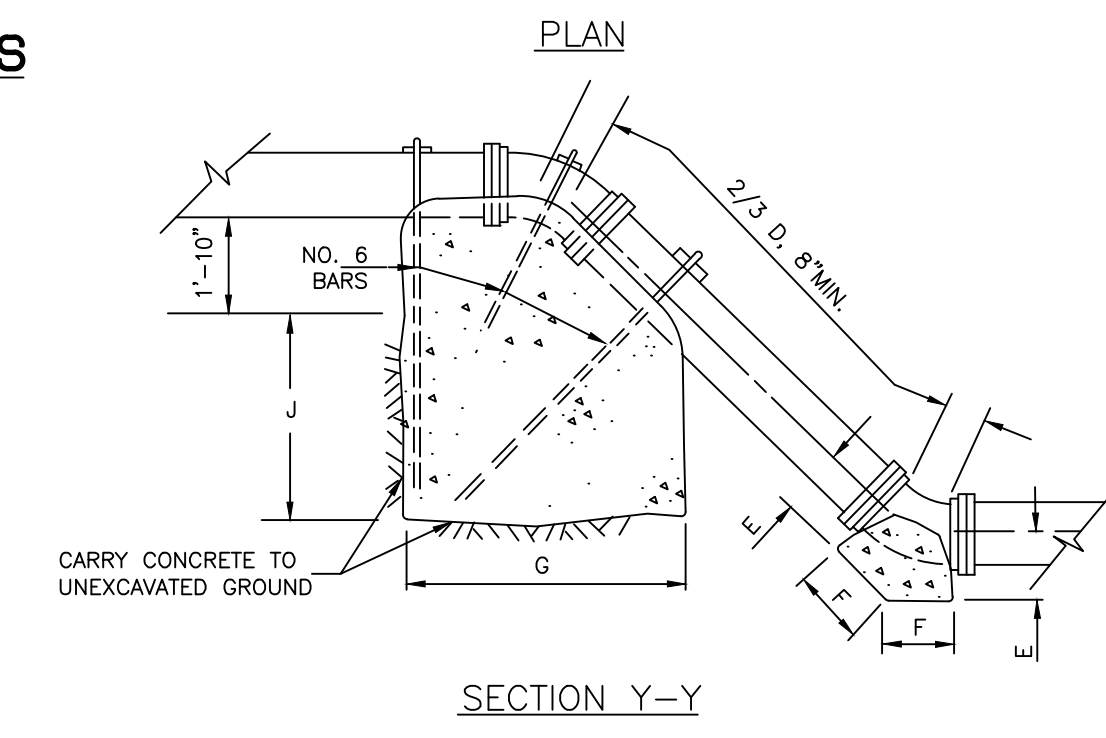
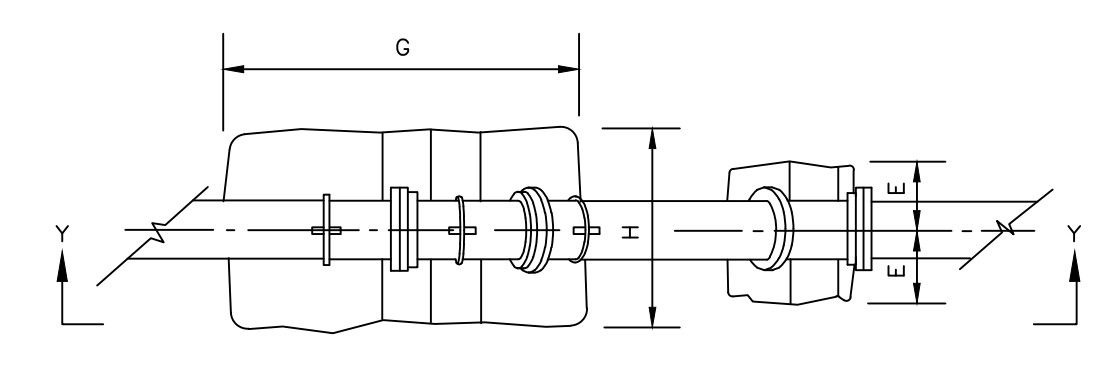
ZACHARIAH A. YORK, ENGINEER
 M.O.P.E. 2005001098
 SIGNATURE _____
 DATE 01-06-2021
 DATE 12-31-2021
 LICENSE EXPIRES _____

PUBLIC WATER SUPPLY DISTRICT NO. 12
 12301 HIGHWAY TT
 FESTUS, JEFFERSON COUNTY, MISSOURI 63028

MARK	DATE	DESCRIPTION

DATE: JANUARY 2021
 PROJECT NO: 850-2858
 DESIGN: ZAY DRAWN: JMA CHECK: ZAY

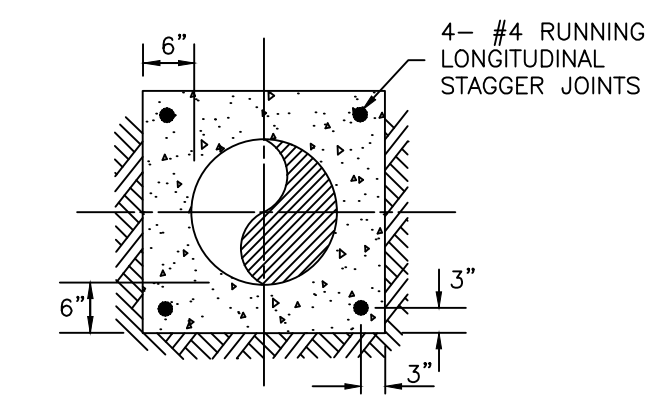
WATERMAIN DETAILS
C-501



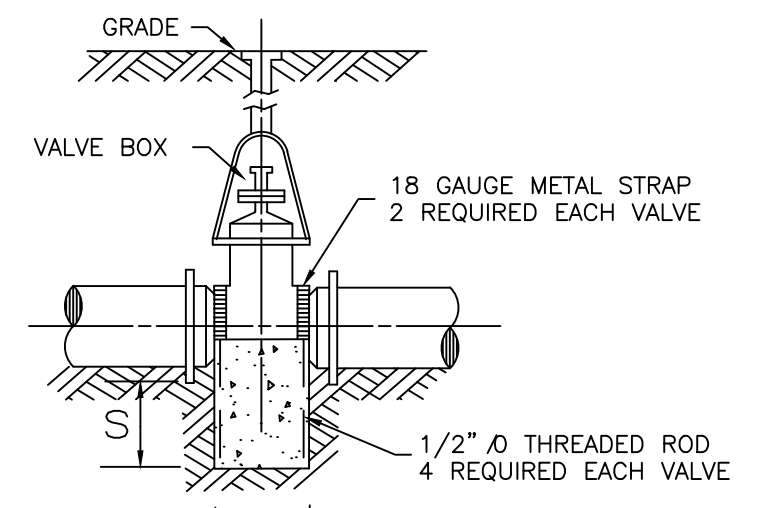
THRUST BLOCK FOR VERTICAL BENDS
 NOT TO SCALE

THRUST BLOCK DIMENSIONS

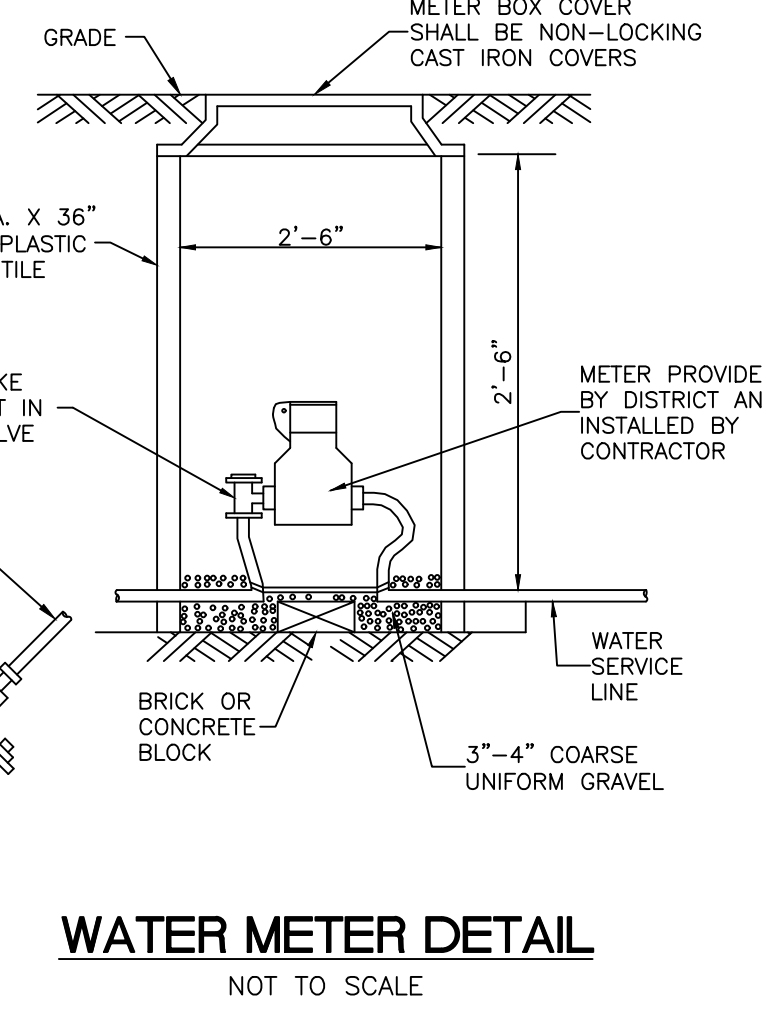
SIZE OF PIPE (IN)	VERTICAL BENDS (FEET)				
	E	F	G	H	J
4	0.5'	0.75'	2.2'	3.0'	1.0'
6	0.9'	0.9'	3.4'	3.0'	1.5'
8	1.0'	1.5'	3.8'	3.5'	2.0'
10	1.25'	1.8'	5.0'	3.7'	2.25'
12	1.5'	2.2'	6.0'	4.0'	2.5'



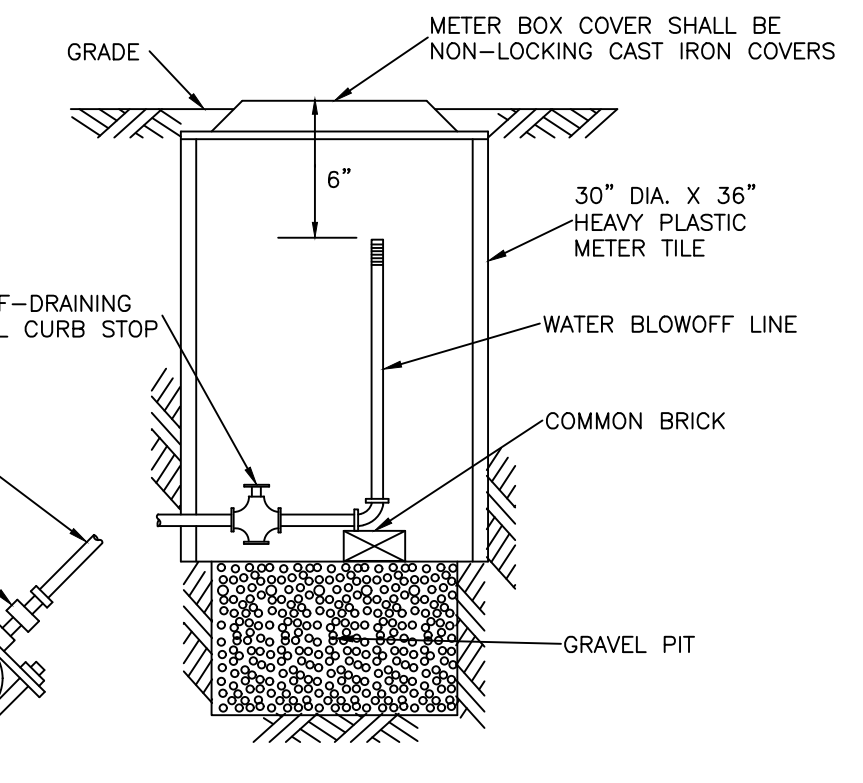
TYPICAL SECTION CONCRETE ENCASEMENT
 NOT TO SCALE



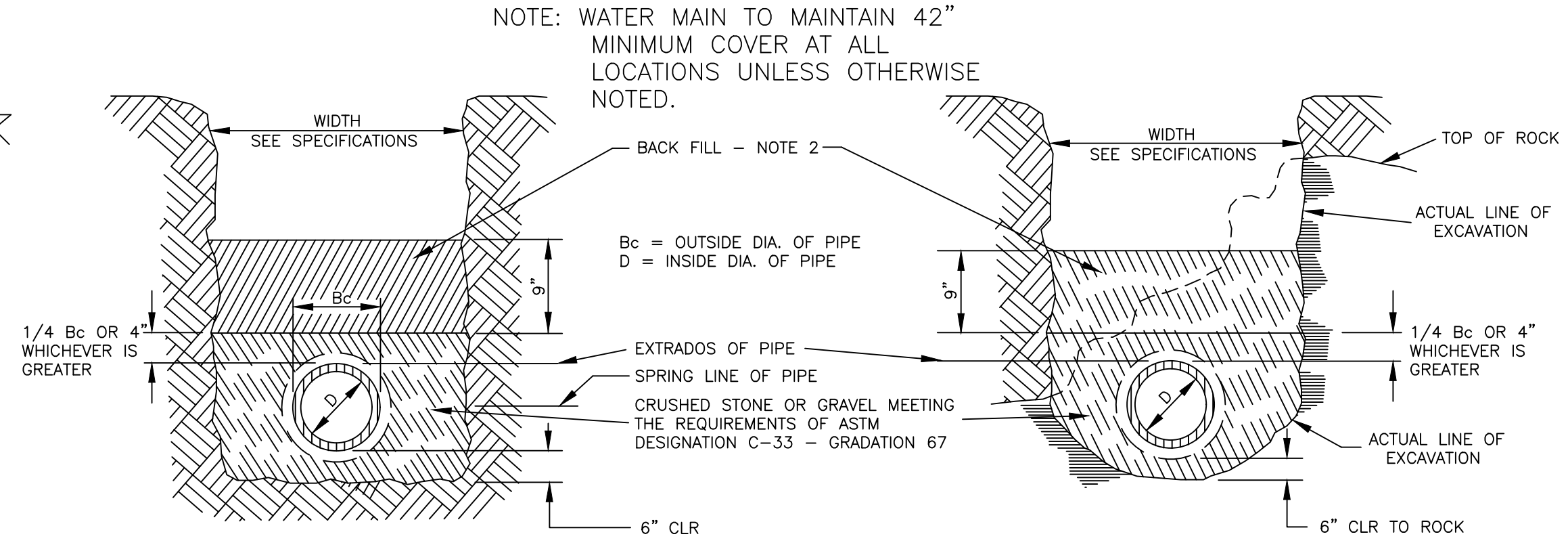
SECTION E-E
 NOT TO SCALE



WATER METER DETAIL
 NOT TO SCALE

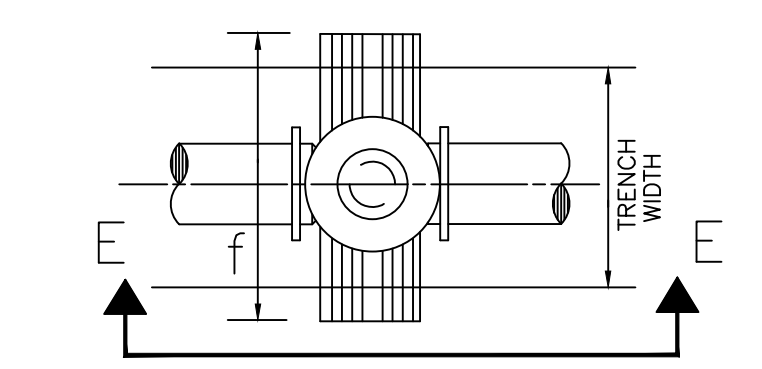


BLOWOFF DETAIL
 NOT TO SCALE

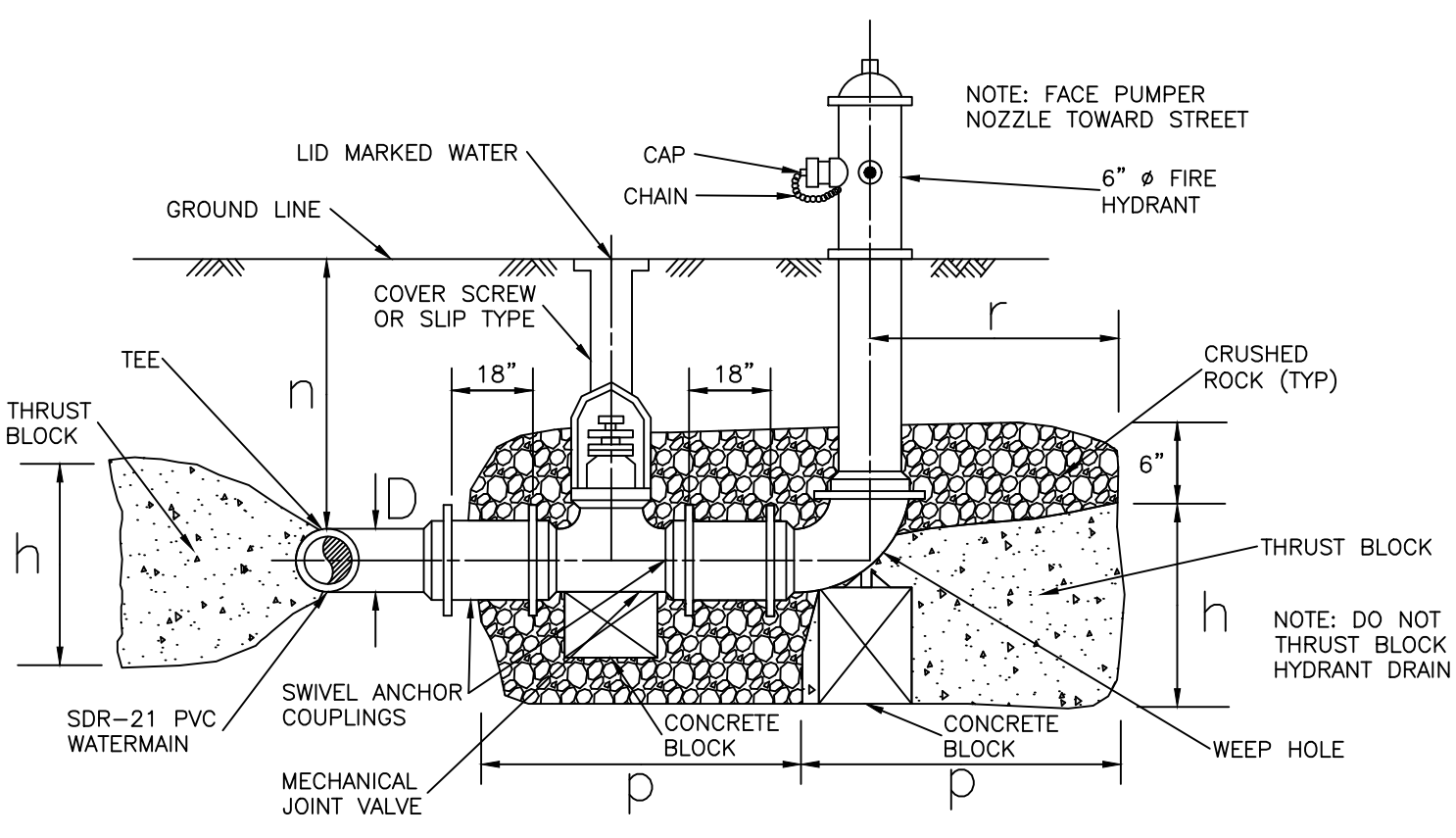


PIPE BEDDING IN EARTH
 NOT TO SCALE

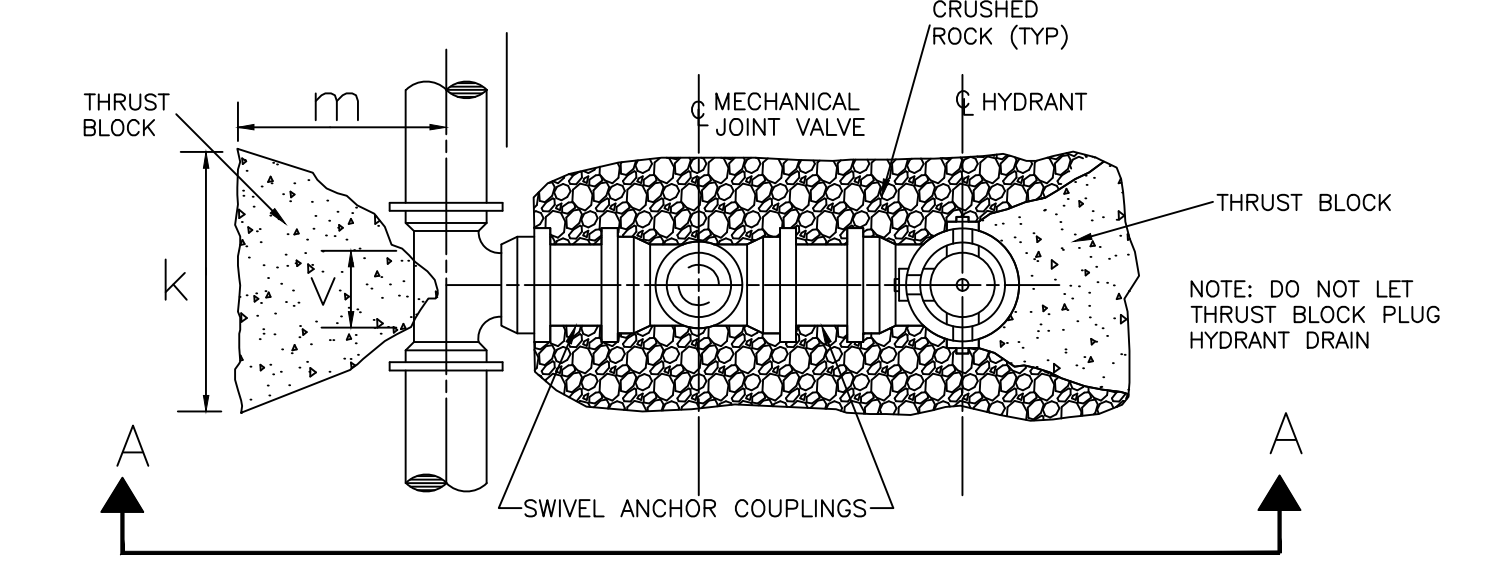
PIPE BEDDING IN ROCK
 NOT TO SCALE



CONCRETE SUPPORT BLOCK FOR VALVES
 NOT TO SCALE



SECTION A-A
 NOT TO SCALE

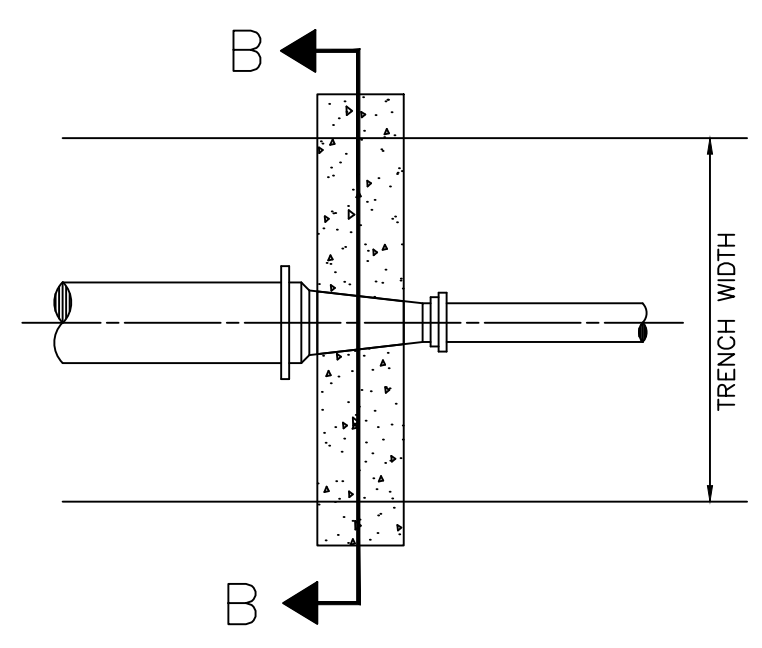


PLAN VIEW
 NOT TO SCALE

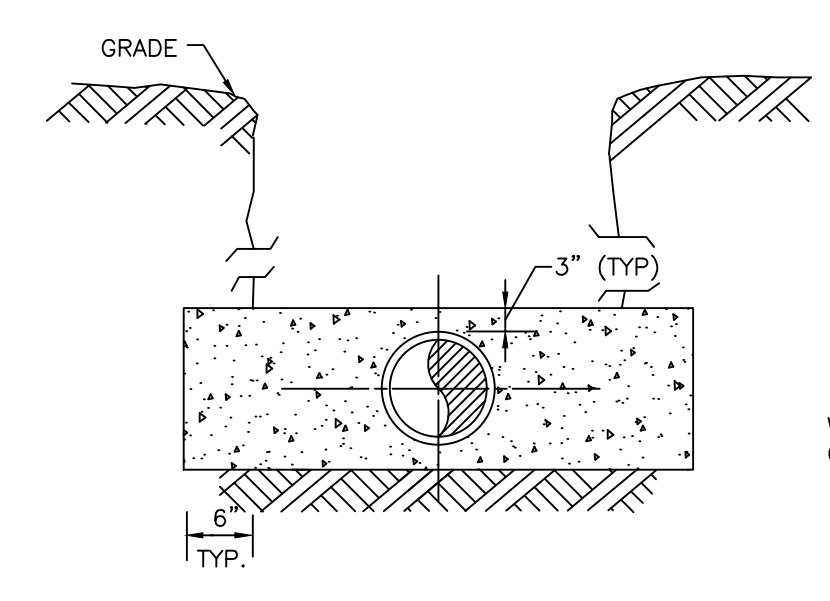
FIRE HYDRANT ASSEMBLY
 NOT TO SCALE

FIRE HYDRANT DETAILS

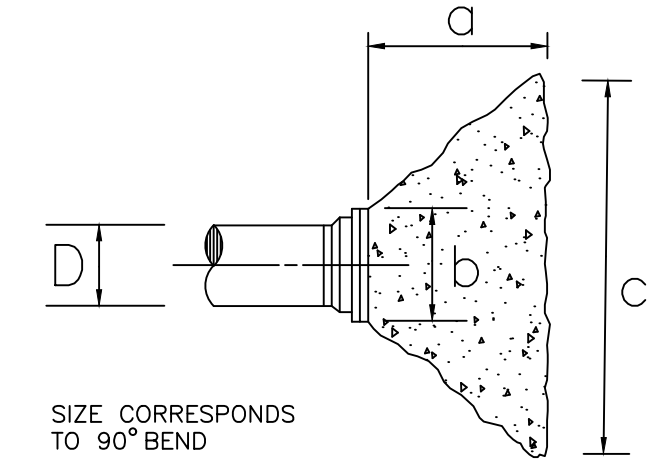
THRUST BLOCK DIMENSIONS (INCHES)							
PIPE SIZE D	k	v	m	h	n	p	r
2	26	4	14	14	42	26	21
4	26	4	14	14	42	26	21
6	36	6	18	18	42	36	30



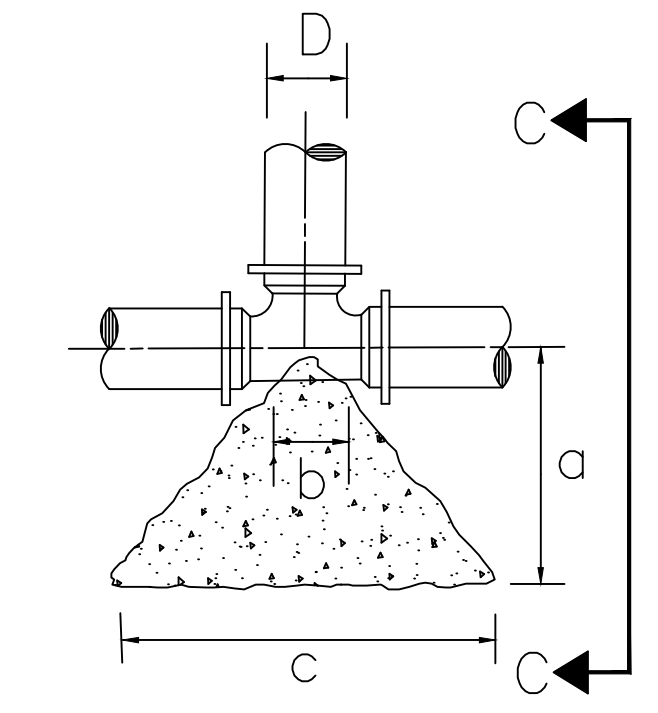
REDUCER ANCHOR
 NOT TO SCALE



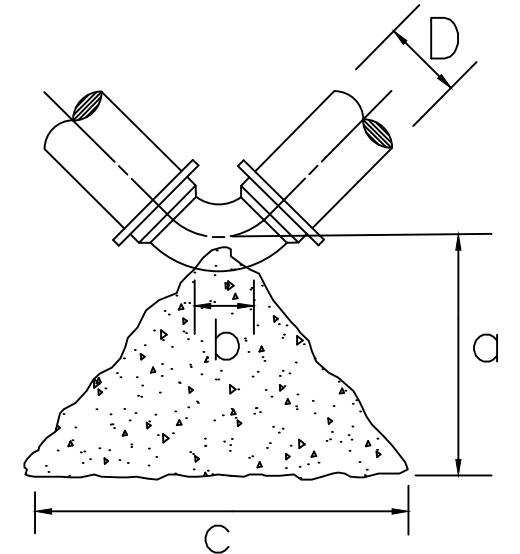
SECTION B-B
 NOT TO SCALE



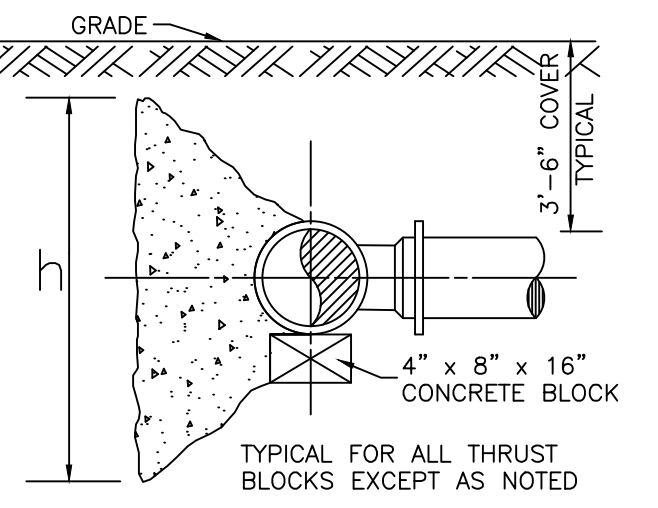
CAP OR PLUG
 NOT TO SCALE



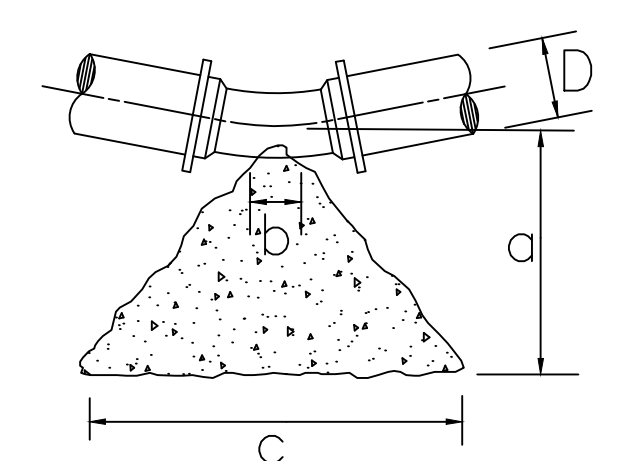
TEE OR WYE BRANCH
 NOT TO SCALE



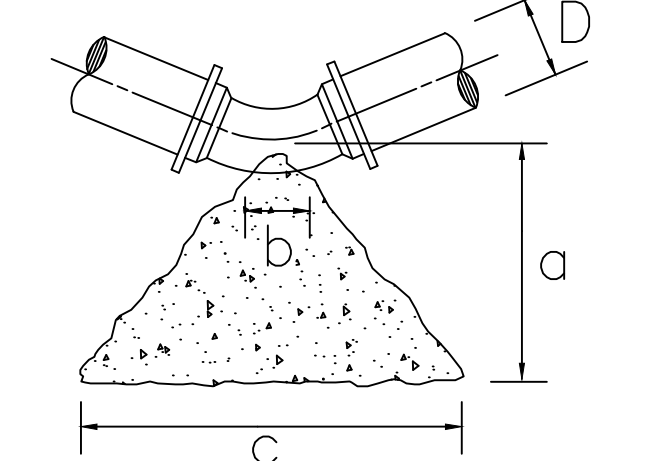
90° BEND
 NOT TO SCALE



SECTION C-C
 NOT TO SCALE



22-1/2° BEND
 NOT TO SCALE



45° BEND
 NOT TO SCALE

THRUST BLOCK DIMENSIONS (INCHES)												
PIPE SIZE	TEE-PLUG WYE BRANCH			90° BEND		45° BEND		22-1/2° BEND		VALVES		
D	a	b	c	h	c	h	c	h	c	h	s	f
4	14	4	26	13	30	15	24	12	16	8	12	36
6	22	6	36	18	44	22	32	16	24	12	18	48
8	29	8	50	25	58	29	42	21	30	15	18	54
10	37	10	62	31	74	37	55	27	40	20	24	54
12	44	12	74	37	88	44	65	33	46	23	24	90

NOTE: WATER MAIN TO MAINTAIN 42" MINIMUM COVER AT ALL LOCATIONS UNLESS OTHERWISE NOTED.

NOTE: FACE PUMPER NOZZLE TOWARD STREET

NOTE: DO NOT LET THRUST BLOCK PLUG HYDRANT DRAIN

NOTE: DO NOT LET THRUST BLOCK PLUG HYDRANT DRAIN

NOTE: DO NOT LET THRUST BLOCK PLUG HYDRANT DRAIN

NOTE: DO NOT LET THRUST BLOCK PLUG HYDRANT DRAIN

NOTE: DO NOT LET THRUST BLOCK PLUG HYDRANT DRAIN